

## AIROW GUN® PELLET USER'S MANUAL

Congratulations on your purchase of the Arow Gun. Please read through this owner's manual completely before operating. Keep the owner's manual in a safe place for future reference. If you have any questions, please call 866-349-1130.

### Important Safety Rules

**ADULT SUPERVISION OF ALL CHILDREN UNDER THE AGE OF 18 IS REQUIRED. THE AIROW GUN IS NOT RECOMMENDED FOR CHILDREN UNDER SEVEN (7) YEARS OF AGE.**

### WARNINGS AND PRECAUTIONS

The Arow Gun is designed to be a safe and fun product. However, as with any shooting sports product, safety rules must be observed. Read all instructions before using. Buyer and user have the duty to obey all laws regarding the use and ownership of this device.

1. **The Arow Gun is not a toy.** Misuse or careless use may result in serious injury or death. May be dangerous up to 500 yards (457m). For maximum safety and enjoyment, always exercise caution, common sense, and safety rules when shooting the Arow Gun. **Never play with your Arow Gun.** It is a potentially dangerous weapon that can cause serious harm or death.

2. **Always wear approved protective eyewear when using the Arow Gun.** Choose shooting glasses that meet or exceed ASTM, PECC, ANSI and CE standards.

3. **Lead pellets (not included). Do not inhale dust or put pellets in mouth.** Wash hands after handling. This product contains lead, a chemical known to cause cancer and birth defects (or other reproductive harm). **WARNING:** Use only .22 caliber pellets with the Arow Gun (see *Loading Pellets*). Never reuse ammunition. Use of any other ammunition can cause injury to you or damage to your Arow Gun.

4. **NEVER aim or draw the Arow Gun in the direction of a person.** Aim and draw ONLY in the direction of an appropriate target. ALWAYS have a full view of the target path and beyond when shooting.

5. **Treat the Arow Gun as if it were loaded.** You can never be positive that you were the last person to handle it. Never take anyone's word about whether or not the Arow Gun is loaded. Always check to see if it is loaded when removed from storage or received from another person. ALWAYS TREAT YOUR AIROW GUN AS IF IT IS LOADED, EVEN IF YOU KNOW IT ISN'T.

6. Avoid alcoholic beverages before and during the use of the Arow Gun. Handling while under the influence of drugs or alcohol is a criminal disregard for public safety.

7. Check your target and beyond your target. Be sure all persons are well clear of the target area before you shoot. Check behind and beyond your target to be certain you have a safe backstop and that no person or property could be endangered.

8. Learn how to handle, load, unload, operate, fire and care for your Arow Gun.

9. Avoid ricochet. Never shoot at a flat hard surface or at the surface of water. Pellets can ricochet off of water just like a skipped rock.

10. Keep the muzzle clear. Never let anything obstruct the muzzle of your Arow Gun. Don't allow the muzzle to come in contact with the ground.

11. Always keep your Arow Gun unloaded until ready to fire and make sure that it is unloaded before cleaning.

12. Store the Arow Gun and pellets separately beyond the reach of children. Make sure the Arow Gun and pellets are locked and secured so children and untrained individuals will be denied access.

13. Lead-off shots should be taken at closer ranges until the shooter is more accurate at longer distances.

### Loading Pellets

1. Flat nose or any .22 cal pellets (not included) shorter than .35" can be used with the Arow Gun. Beeman pellets are of high quality and recommended for use in the Arow Gun.

2. After installing the unit onto the bow, pull back on the cocking mechanism to ensure everything is in working order. When lever is pulled back, the 8 shot pellet chamber (21) should rotate counterclockwise one chamber rotation (i.e., if the chamber starts at 8, it should be positioned at 7 after the cocking mechanism lever is pulled).

3. Place pellet in pellet staging area (20) with the flat head of the pellet pointing into the chamber.

4. Push pellet completely into the chamber. The depth can be adjusted by turning the knob on the pellet plunger (22). Doing so will change the distance that the pellet is seated into the chamber.

5. Pull back cocking mechanism lever to advance the pellet chamber.

6. Repeat until the pellet chamber is full.

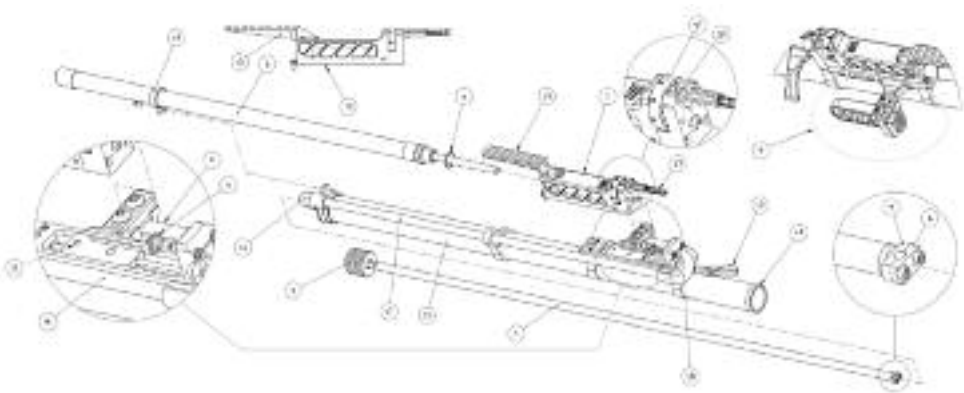
### Shooting Pellets

1. After pellet chamber is fully loaded, simply draw bow and release.

2. After each shot, pull cocking mechanism lever to advance pellet chamber to the next pellet and repeat.

### Pellet Arow Gun Parts List

- |                      |                                     |                             |
|----------------------|-------------------------------------|-----------------------------|
| 1. Aluminum arrow    | 8. Receiver mount                   | 15. Large air chamber tube  |
| 2. Plunger           | 9. Riser mounting bracket           | 16. Front air transfer case |
| 3. Nock              | 10. Cocking peg                     | 17. Small air chamber tube  |
| 4. Nock clamp        | 11. Cocking slide hole              | 18. Rear air transfer case  |
| 5. Detachable barrel | 12. Cocking mechanism lever         | 19. Front attachment ring   |
| 6. Rubber O-ring     | 13. Elevated scope mount (optional) | 20. Pellet staging area     |
| 7. Receiver          | 14. Arrow safety ring               | 21. 8 shot pellet chamber   |
|                      |                                     | 22. Pellet plunger          |



## AIROW GUN® PAINTBALL USER'S MANUAL

### Important Safety Rules

**ADULT SUPERVISION OF ALL CHILDREN UNDER THE AGE OF 18 IS REQUIRED. THE AIROW GUN IS NOT RECOMMENDED FOR CHILDREN UNDER SEVEN (7) YEARS OF AGE.**

### WARNINGS AND PRECAUTIONS

1. **The Arow Gun is not a toy.** Misuse or careless use may result in serious injury or death. For maximum safety and enjoyment, always exercise caution, common sense, and safety rules when shooting the Arow Gun.

2. **Never fire your Arow Gun with people around (including yourself) who are not wearing proper paintball approved goggles, mask & ear protection.** ALWAYS have a full view of the path to the target and beyond when shooting. All persons within a 200 yard radius should always wear approved full face, eye and ear protection that meet or exceed ASTM, PECC, ANSI and CE standards. Failure to follow the paintball mask manufacturer's instructions when shooting the Arow Gun could result in bodily harm including face, eyes and ear injury, blindness and deafness.

3. **Treat the Arow Gun as if it were loaded.** You can never be positive that you were the last person to handle it. Never take anyone's word about whether or not the Arow Gun is loaded. Always check to see if it is loaded when removed from storage or received from another person. ALWAYS TREAT YOUR AIROW GUN AS IF IT IS LOADED, EVEN IF YOU KNOW IT ISN'T.

4. **Never fire your Arow Gun at personal property of others.** Paintballs can stain the paint of automobiles and houses.

5. **Never fire your Arow Gun paintball at animals.** It can result in injury or death and is considered cruelty.

6. Check your target and beyond your target. Be sure all persons not properly equipped for paintball games are well clear of the target area before you shoot. Check behind and beyond your target to be certain you have a safe backstop and that no person or property could be endangered.

7. Learn how to handle, load, unload, operate, fire and care for your Arow Gun.

8. Avoid ricochet. Never shoot at the surface of water. Paintballs can ricochet off of water just like a skipped rock.

9. Keep the muzzle clear. Never let anything obstruct the muzzle of the Arow Gun. Don't allow the muzzle to come in contact with the ground.

10. Always keep your Arow Gun unloaded until ready to fire and make sure that it is unloaded before cleaning.

11. Store the Arow Gun and paintballs separately beyond the reach of children. Make sure the Arow Gun and paintballs are locked and secured so children and untrained individuals will be denied access.

12. Dress appropriately when playing the game of paintball. Avoid exposing any skin when playing. Even a light layer will absorb some of the impact and protect you from the paintballs.

13. Avoid alcoholic beverages before and during the use of the Arow Gun. Handling while under the influence of drugs or alcohol is a criminal disregard for public safety.

14. Your Arow Gun is designed for target shooting and is suited for both indoor and outdoor use. Always remember to place your target carefully. **THINK** about what you will hit if you miss the target.

### Loading Paintballs

1. Use only .68 caliber paintballs. Never load or fire any foreign objects in your Arow Gun.

2. After installing the unit to the bow, pull back on the cocking mechanism to ensure everything is in working order. When lever is pulled back, the next paintball should fall into place.

3. Fill paintball staging tube (19) with paintballs (maximum of 14 plus 1 chambered). Staging tube can be loaded while it is on the unit as well as off.

4. Attach staging tube to the receiver (7).

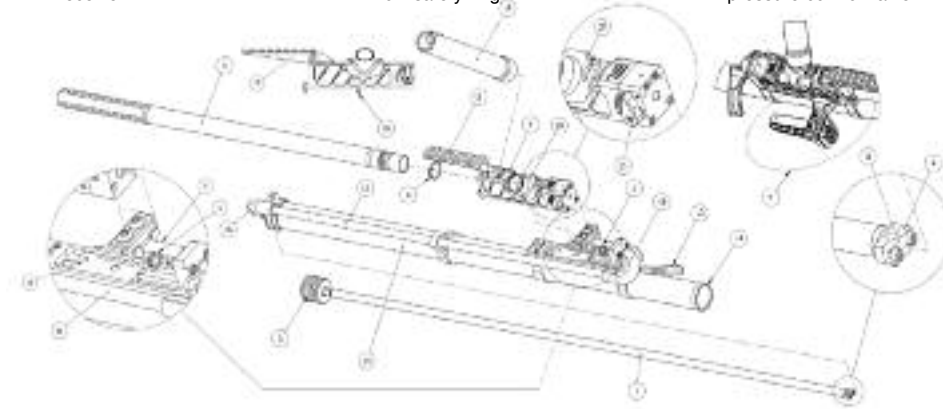
### Shooting Paintballs

1. After paintball staging tube is fully loaded, simply draw back bow and release.

2. After each shot, pull cocking mechanism lever (12) to advance the next paintball and repeat.

### Paintball Arow Gun Parts List

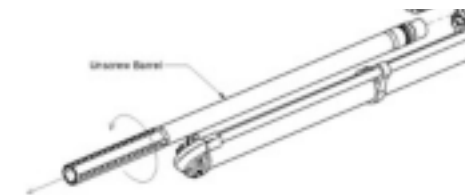
- |                      |                             |                                   |
|----------------------|-----------------------------|-----------------------------------|
| 1. Aluminum arrow    | 8. Receiver mount           | 15. Large air chamber tube        |
| 2. Plunger           | 9. Riser mounting bracket   | 16. Front air transfer case       |
| 3. Nock              | 10. Cocking peg             | 17. Small air chamber tube        |
| 4. Nock clamp        | 11. Cocking slide hole      | 18. Rear air transfer case        |
| 5. Detachable barrel | 12. Cocking mechanism lever | 19. Paintball staging tube        |
| 6. Rubber O-ring     | 13. Elevated scope mount    | 20. R/L Adjustable paintball feed |
| 7. Receiver          | 14. Arrow safety ring       | 21. Air pressure control valve    |



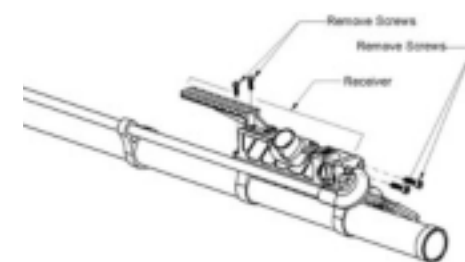
## RIGHT HAND TO LEFT HAND CONVERSION

1. Conversion must be performed with the Arow Gun removed from bow.

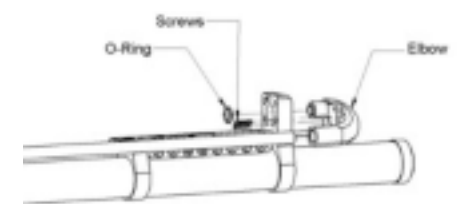
2. Unscrew barrel from receiver. (Note: Pellet Module Only - The front attachment ring (19) screw must be removed prior to barrel removal).



3. Remove 2 screws at front of receiver and 2 screws at rear of receiver. Lift receiver away from base.



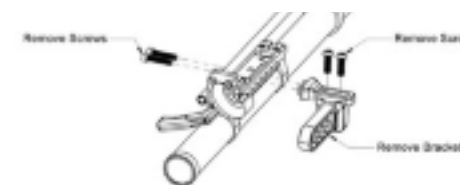
4. Remove 2 screws, remove elbow and o-ring. Move elbow to opposite side of base.



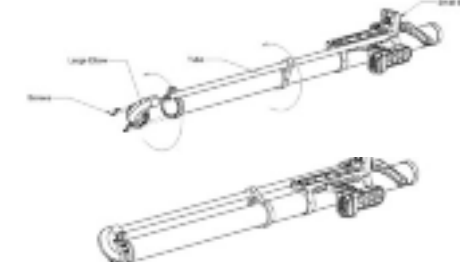
5. Reinstall screws and o-ring. Elbow should be positioned like diagram below.



6. Remove brackets and reassemble on opposite side.

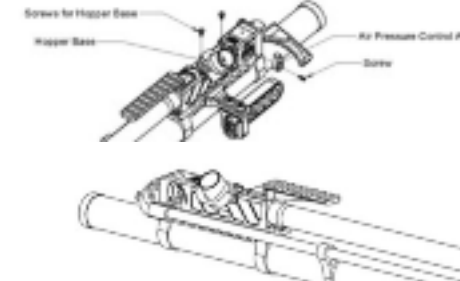


7. Remove 4 screws and pull out large elbow. Shift tube to other side, insert tube into small elbow and reinstall larger elbow on opposite side.



8. Perform step 3 and then 2, in reverse to reassemble receiver and barrel.

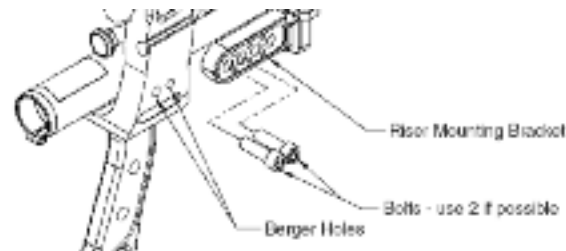
9. Paintball Module Only - Remove 2 screws and reverse the position of the Hopper Base. Remove 1 screw and relocate the Air Pressure Control Arm to the opposite side.



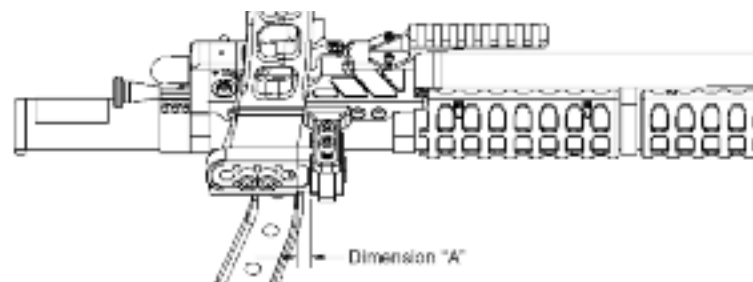
10. Proceed to General Assembly Instructions to mount Arow Gun to bow.

# AIROW GUN® ASSEMBLY INSTRUCTIONS

1. Remove arrow rest and bow sight (if necessary) from your bow.
2. Position Airow Gun as shown in the illustration with the Riser Mounting Bracket over berger holes of the riser.

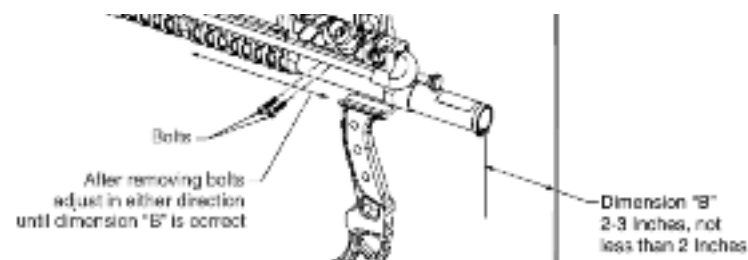


3. Align holes of Riser Mounting Bracket with berger holes of riser so that dimension "A" is the smallest possible. This will increase the rigidity of the setup.



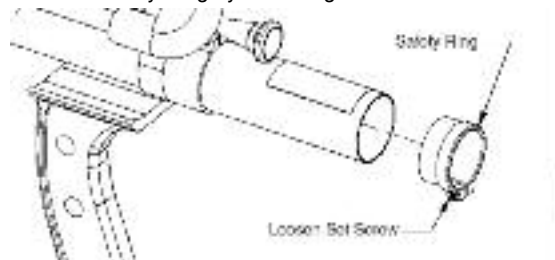
- 4) Insert bolts into berger holes and tighten, taking care not to deform or dent the air chamber. Shorter bolts should be used except when mounting accessories with the Airowgun to the riser.

5. Next, look at dimension "B" on bow. This dimension should be between 2 to 3 inches and not less than 2 inches. To adjust this dimension, remove bolts then adjust the position of the Airow Gun. When dimension is correct, retighten bolts.

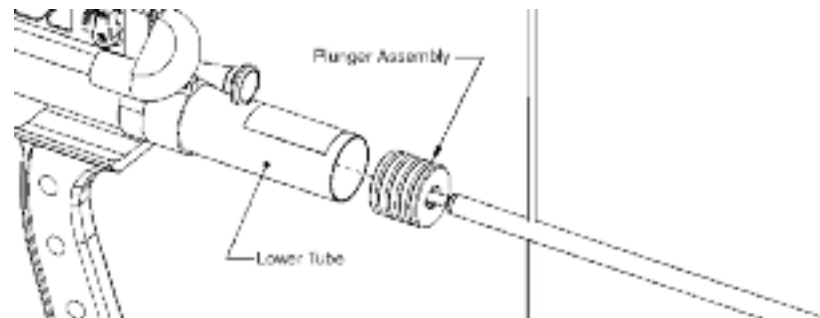


6. Adjust position of Airow Gun so that it is square to the string. Once square, tighten all previously mentioned bolts.

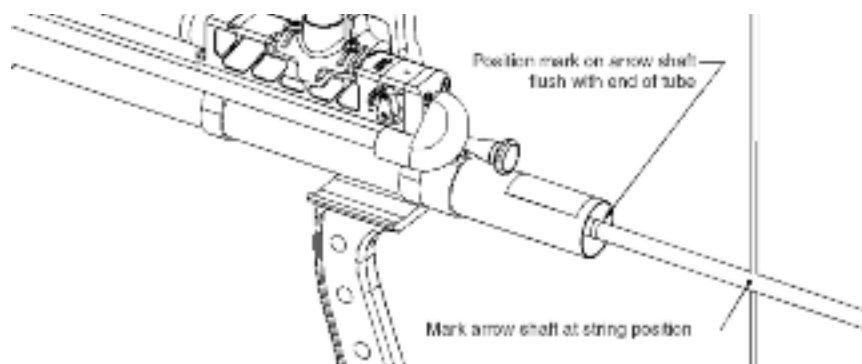
7. Remove Rear Safety Ring by loosening the set screw.



8. Insert the Plunger Assembly into the rear end of the Lower Tube.

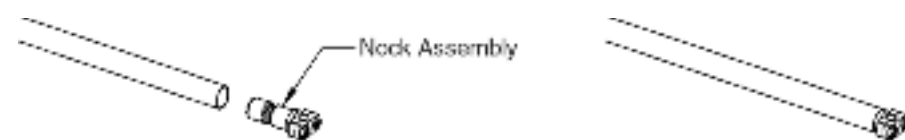


9. Position mark on arrow shaft flush with end of tube. Mark arrow shaft with a pencil at string position.



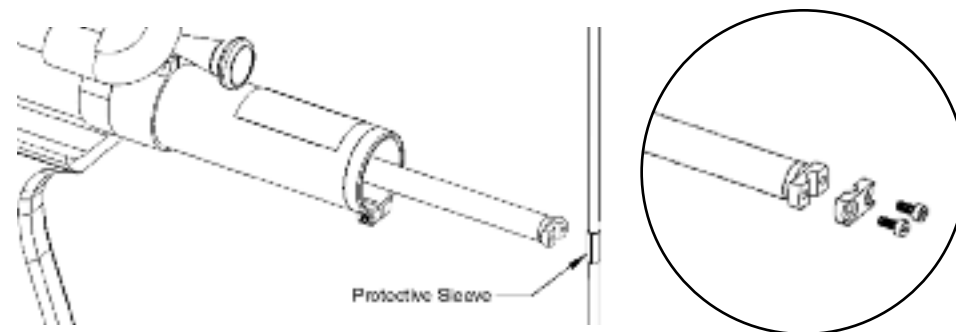
10. Remove Plunger Assembly and cut arrow shaft on pencil mark.

11. Use an archery "hot melt" or other suitable nock glue (not provided) to glue nock assembly into end of arrow shaft. Hold in position until glue cures.

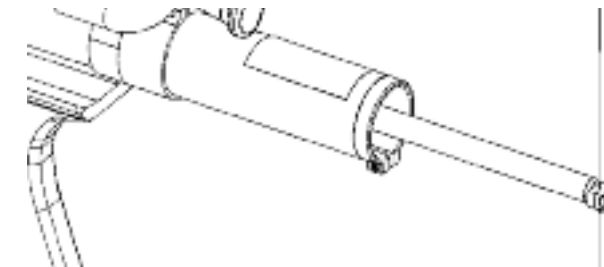


12. Insert Plunger Assembly back into Lower Tube again. Reinstall Safety Ring and tighten set screw.

13. Install the Protective Sleeve around string. Remove screws & Nock Cap.

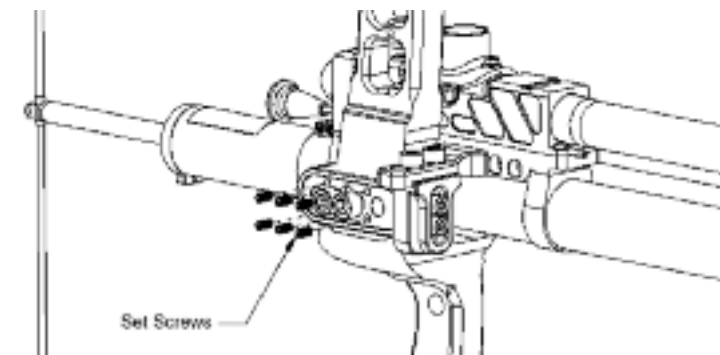


14. Place the Nock onto the Protective Sleeve and replace the Nock Cap and screws. Tighten screws.



15. The Airow Gun must now be adjusted so that the arrow shaft is in the center of the Large Air Chamber Tube. Make necessary adjustments and retighten bolts.

16. Once everything is set and adjusted, tighten set screws into the Riser Mounting Bracket to lock the Arrow Gun into position. This will make small dimples in your riser but will keep the Airow Gun from moving.



17. Your Airow Gun is now installed!

18. Before you shoot, make a few quick checks.

- Dimension "B" should be set at 2 to 3 inches minimum and not less than 2 inches.
- The mark on the arrow shaft should be flush with the end of the tube.
- Is the nock properly glued into the arrow shaft?
- Is the Arrow Shaft centered in the Large Air Chamber Tube?

If all of these are correct, you are now ready to shoot your Airow Gun.

## accessorize & protect your Airow Gun.

Increase your accuracy with high powered optics. With our Scope Mount you can attach most scopes and red dot sights. This rail fits on the Paintball and Pellet version.



available at [www.airowgun.com](http://www.airowgun.com)

Playing paintball in the woods can be rough on your equipment. Protect your Airow Gun from dings and dents with the Air Chamber Shield, where form and function meets in one accessory.

# AIROW GUN® WARRANTY INFORMATION

Airow Gun warrants this product to be free from defects in materials and workmanship for a period of 180 days from the original date of purchase by the initial owner/purchaser. This warranty does not apply to defects discovered after purchase that were caused by the unauthorized modifications and alterations of our product. This warranty will be voided if damage occurs due to improper operation, dropping the product, attempting to dismantle or modify it, using inferior quality ammo or foreign objects, failure to carry out routine maintenance or any other cosmetic modifications.

Airow Gun will replace or repair, without charge, any of its Airow Gun products that have failed through defect in material or workmanship. Airow Gun is dedicated to providing you with the ultimate in shooting products and the quality support necessary to satisfactorily enjoy the sport.

### Warranty and Repair Procedure

If you should encounter any problems with your Airow Gun, please use the following steps to initiate the warranty (within the 180 days) or non-warranty (after 180 days) repair process:

1. You must have an Return Merchandise Authorization Number (RMA#) in order to ship your Airow Gun product. In order to obtain an RMA#, contact Airow Gun Customer Service toll free: **866-349-1130** or [sales@airowgunsales.com](mailto:sales@airowgunsales.com)

2. When you receive your RMA#, you will be given instructions on how to send your product. Postage and delivery charges must be prepaid. Ship or deliver your product to: **1820 W 7th Avenue, Eugene, OR 97402**

Take care when shipping your Airow Gun product by adequately packing it. Airow Gun is not responsible for damage to your product while in shipment. Shipping insurance isn't required but recommended.

3. Include a brief statement regarding the requested repair work. We will return ship it to you usually within 72 hours after we receive it via regular ground shipment. If you wish to have it returned using a faster service, you can request NEXT DAY AIR or SECOND DAY AIR. You will be charged for this service and must include your credit card number with the expiration date. Your card will be charged the difference in additional cost over regular ground shipping service.

4. When sending your Airow Gun in for repair within the 180-day warranty period be sure to include a copy of the original sales receipt from the date of purchase. Be sure to include your full name, address & phone number.

### Disclaimer of Liability

By accepting this archery product, buyer agrees to hold harmless the manufacturer and all associated parties from liability for any damage to persons or property which may result, for any reason, from the use of this product.

Designed & Manufactured by Romney Motion, Inc.

romney motion

**AIROW GUN®**

For Customer Support:  
**866-349-1130**

[www.AirowGun.com](http://www.AirowGun.com) • Patent Pending • © 2009 Airow Gun Products

go from Pellets to Paintballs & back to Pellets

Switch from pellets to paintballs, or paintballs to pellets, in a matter of minutes with a simple barrel change. Interchangeable conversion kits, complete with barrel and corresponding receiver, are available at your local airow gun dealer or online at [airowgun.com](http://airowgun.com).

Love the pellet or paintball version of the Airow Gun? Wish you had one of each? Why choose when we make it so easy.