

Congratulations on your purchase of the Airow Gun Conversion Kit. Please read through this owner's manual completely before installing and operating. Keep the owner's manual in a safe place for future reference. If you have any questions, please call 866-349-1130.

AIROW GUN® PELLET CONVERSION KIT USER'S MANUAL

Important Safety Rules

**ADULT SUPERVISION OF ALL CHILDREN UNDER THE AGE OF 18 IS REQUIRED.
THE AIROW GUN IS NOT RECOMMENDED FOR CHILDREN UNDER SEVEN (7) YEARS OF AGE.**

WARNINGS AND PRECAUTIONS

The Airow Gun is designed to be a safe and fun product. However, as with any shooting sports product, safety rules must be observed. Read all instructions before using. Buyer and user have the duty to obey all laws regarding the use and ownership of this device.

- 1. The Airow Gun is not a toy.** Misuse or careless use may result in serious injury or death. May be dangerous up to 500 yards (457m). For maximum safety and enjoyment, always exercise caution, common sense, and safety rules when shooting the Airow Gun. **Never play with your Airow Gun.** It is a potentially dangerous weapon that can cause serious harm or death.
- 2. Always wear approved protective eyewear when using the Airow Gun.** Choose shooting glasses that meet or exceed ASTM, PECC, ANSI and CE standards.
- 3. Lead pellets (not included). Do not inhale dust or put pellets in mouth.** Wash hands after handling. This product contains lead, a chemical known to cause cancer and birth defects (or other reproductive harm). **WARNING:** Use only .22 caliber pellets with the Airow Gun (see *Loading Pellets*). Never reuse ammunition. Use of any other ammunition can cause injury to you or damage to your Airow Gun.
- 4. NEVER aim or draw the Airow Gun in the direction of a person.** Aim and draw ONLY in the direction of an appropriate target. ALWAYS have a full view of the target path and beyond when shooting.
- 5. Treat the Airow Gun as if it were loaded.** You can never be positive that you were the last person to handle it. Never take anyone's word about whether or not the Airow Gun is loaded. Always check to see if it is loaded when removed from storage or received from another person. ALWAYS TREAT YOUR AIROW GUN AS IF IT IS LOADED, EVEN IF YOU KNOW IT ISN'T.
- Avoid alcoholic beverages before and during the use of the Airow Gun. Handling while under the influence of drugs or alcohol is a criminal disregard for public safety.
- Check your target and beyond your target. Be sure all persons are well clear of the target area before you shoot. Check behind and beyond your target to be certain you have a safe backstop and that no person or property could be endangered.
- Learn how to handle, load, unload, operate, fire and care for your Airow Gun.
- Avoid ricochet. Never shoot at a flat hard surface or at the surface of water. Pellets can ricochet off of water just like a skipped rock.
- Keep the muzzle clear. Never let anything obstruct the muzzle of your Airow Gun. Don't allow the muzzle to come in contact with the ground.
- Always keep your Airow Gun unloaded until ready to fire and make sure that it is unloaded before cleaning.
- Store the Airow Gun and pellets separately beyond the reach of children. Make sure the Airow Gun and pellets are locked and secured so children and untrained individuals will be denied access.
- Lead-off shots should be taken at closer ranges until the shooter is more accurate at longer distances.

Loading Pellets

- Flat nose or any .22 cal pellets (not included) shorter than .35" can be used with the Airow Gun. Beeman pellets are of high quality and recommended for use in the Airow Gun.

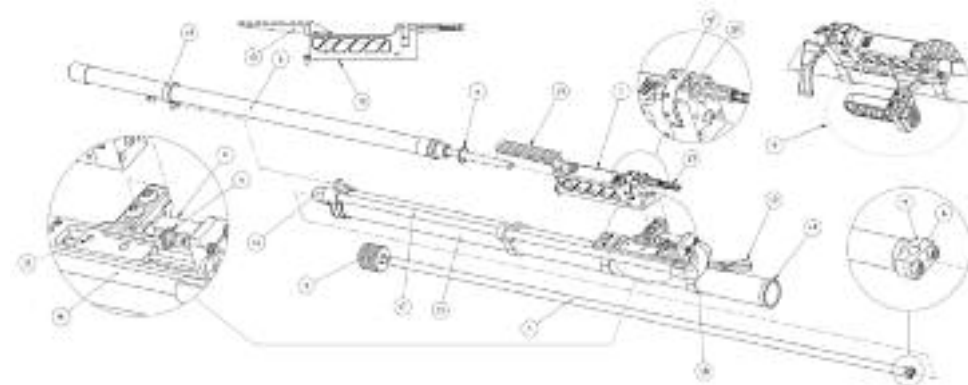
- After installing the unit onto the bow, pull back on the cocking mechanism to ensure everything is in working order. When lever is pulled back, the 8 shot pellet chamber (21) should rotate counter-clockwise one chamber rotation (i.e., if the chamber starts at 8, it should be positioned at 7 after the cocking mechanism lever is pulled).
- Place pellet in pellet staging area (20) with the flat head of the pellet pointing into the chamber.
- Push pellet completely into the chamber. The depth can be adjusted by turning the knob on the pellet plunger (22). Doing so will change the distance that the pellet is seated into the chamber.
- Pull back cocking mechanism lever to advance the pellet chamber.
- Repeat until the pellet chamber is full.

Shooting Pellets

- After pellet chamber is fully loaded, simply draw bow and release.
- After each shot, pull cocking mechanism lever to advance pellet chamber to the next pellet and repeat.

Pellet Airow Gun Parts List

- | | | |
|----------------------|-------------------------------------|-----------------------------|
| 1. Aluminum arrow | 8. Receiver mount | 15. Large air chamber tube |
| 2. Plunger | 9. Riser mounting bracket | 16. Front air transfer case |
| 3. Nock | 10. Cocking peg | 17. Small air chamber tube |
| 4. Nock clamp | 11. Cocking slide hole | 18. Rear air transfer case |
| 5. Detachable barrel | 12. Cocking mechanism lever | 19. Front attachment ring |
| 6. Rubber O-ring | 13. Elevated scope mount (optional) | 20. Pellet staging area |



Disclaimer of Liability

By accepting this archery product, buyer agrees to hold harmless the manufacturer and all associated parties from liability for any damage to persons or property which may result, for any reason, from the use of this product.

Designed & Manufactured by Romney Motion, Inc.

romney motion

AIROW GUN®

Customer Service

866-349-1130

AIROW GUN® PAINTBALL CONVERSION KIT USER'S MANUAL

Important Safety Rules

**ADULT SUPERVISION OF ALL CHILDREN UNDER THE AGE OF 18 IS REQUIRED.
THE AIROW GUN IS NOT RECOMMENDED FOR CHILDREN UNDER SEVEN (7) YEARS OF AGE.**

WARNINGS AND PRECAUTIONS

- 1. The Airow Gun is not a toy.** Misuse or careless use may result in serious injury or death. For maximum safety and enjoyment, always exercise caution, common sense, and safety rules when shooting the Airow Gun.
- 2. Never fire your Airow Gun with people around (including yourself) who are not wearing proper paintball approved goggles, mask & ear protection.** ALWAYS have a full view of the path to the target and beyond when shooting. All persons within a 200 yard radius should always wear approved full face, eye and ear protection that meet or exceed ASTM, PECC, ANSI and CE standards. Failure to follow the paintball mask manufacturer's instructions when shooting the Airow Gun could result in bodily harm including face, eyes and ear injury, blindness and deafness.
- 3. Treat the Airow Gun as if it were loaded.** You can never be positive that you were the last person to handle it. Never take anyone's word about whether or not the Airow Gun is loaded. Always check to see if it is loaded when removed from storage or received from another person. ALWAYS TREAT YOUR AIROW GUN AS IF IT IS LOADED, EVEN IF YOU KNOW IT ISN'T.
- 4. Never fire your Airow Gun at personal property of others.** Paintballs can stain the paint of automobiles and houses.
- 5. Never fire your Airow Gun paintball at animals.** It can result in injury or death and is considered cruelty.
6. Check your target and beyond your target. Be sure all persons not properly equipped for paintball games are well clear of the target area before you shoot. Check behind and beyond your target to be certain you have a safe backstop and that no person or property could be endangered.
7. Learn how to handle, load, unload, operate, fire and care for your Airow Gun.
8. Avoid ricochet. Never shoot at the surface of water. Paintballs can ricochet off of water just like a skipped rock.
9. Keep the muzzle clear. Never let anything obstruct the muzzle of the Airow Gun. Don't allow the muzzle to come in contact with the ground.
10. Always keep your Airow Gun unloaded until ready to fire and make sure that it is unloaded before cleaning.
11. Store the Airow Gun and paintballs separately beyond the reach of children. Make sure the Airow Gun and paintballs are locked and secured so children and untrained individuals will be denied access.
12. Dress appropriately when playing the game of paintball. Avoid exposing any skin when playing. Even a light layer will absorb some of the impact and protect you from the paintballs.
13. Avoid alcoholic beverages before and during the use of the Airow Gun. Handling while under the influence of drugs or alcohol is a criminal disregard for public safety.
14. Your Airow Gun is designed for target shooting and is suited for both indoor and outdoor use. Always remember to place your target carefully. **THINK** about what you will hit if you miss the target.

Loading Paintballs

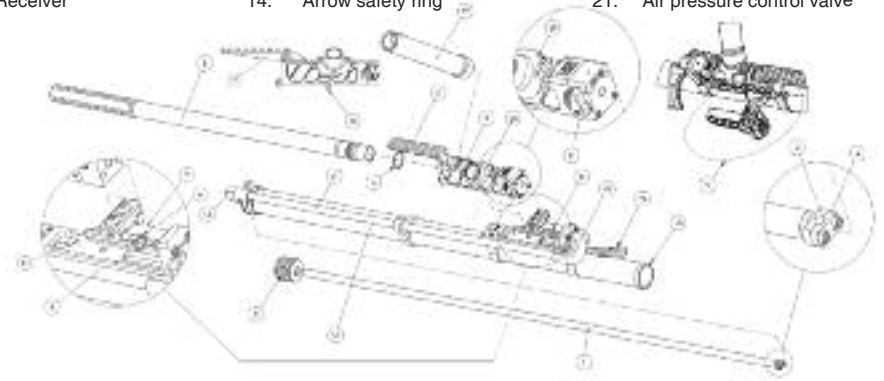
1. Use only .68 caliber paintballs. Never load or fire any foreign objects in your Airow Gun.
2. After installing the unit to the bow, pull back on the cocking mechanism to ensure everything is in working order. When lever is pulled back, the next paintball should fall into place.
3. Fill paintball staging tube (19) with paintballs (maximum of 14 plus 1 chambered). Staging tube can be loaded while it is on the unit as well as off.
4. Attach staging tube to the receiver (7).

Shooting Paintballs

1. After paintball staging tube is fully loaded, simply draw back bow and release.
2. After each shot, pull cocking mechanism lever (12) to advance the next paintball and repeat.

Paintball Airow Gun Parts List

- | | | |
|----------------------|-----------------------------|-----------------------------------|
| 1. Aluminum arrow | 8. Receiver mount | 15. Large air chamber tube |
| 2. Plunger | 9. Riser mounting bracket | 16. Front air transfer case |
| 3. Nock | 10. Cocking peg | 17. Small air chamber tube |
| 4. Nock clamp | 11. Cocking slide hole | 18. Rear air transfer case |
| 5. Detachable barrel | 12. Cocking mechanism lever | 19. Paintball staging tube |
| 6. Rubber O-ring | 13. Elevated scope mount | 20. R/L Adjustable paintball feed |
| 7. Receiver | 14. Arrow safety ring | 21. Air pressure control valve |

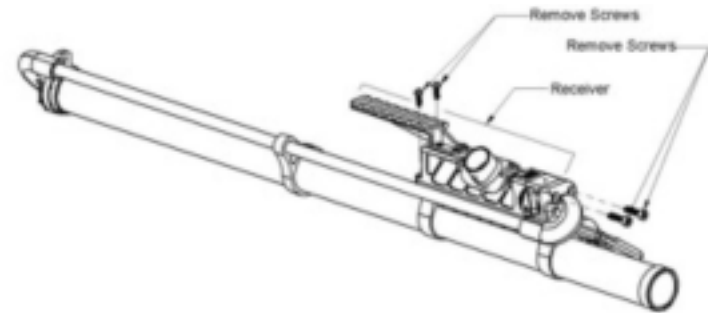


Installing Conversion Kit (For Paintball and Pellet versions)

1. Unscrew barrel from receiver. (Note: Pellet Module Only - The front attachment ring (19) screw must be removed prior to barrel removal).



2. Remove 2 screws at front of receiver and 2 screws at rear of receiver. Lift receiver away from base.



3. Reinstall receiver and screws. Make sure cocking slide hole (11) of receiver mount (8) lines up with cocking peg (10). Screw barrel securely into receiver (Note: Pellet Module Only - The front attachment ring (19) screw must be reinstalled prior to shooting your Airow Gun).